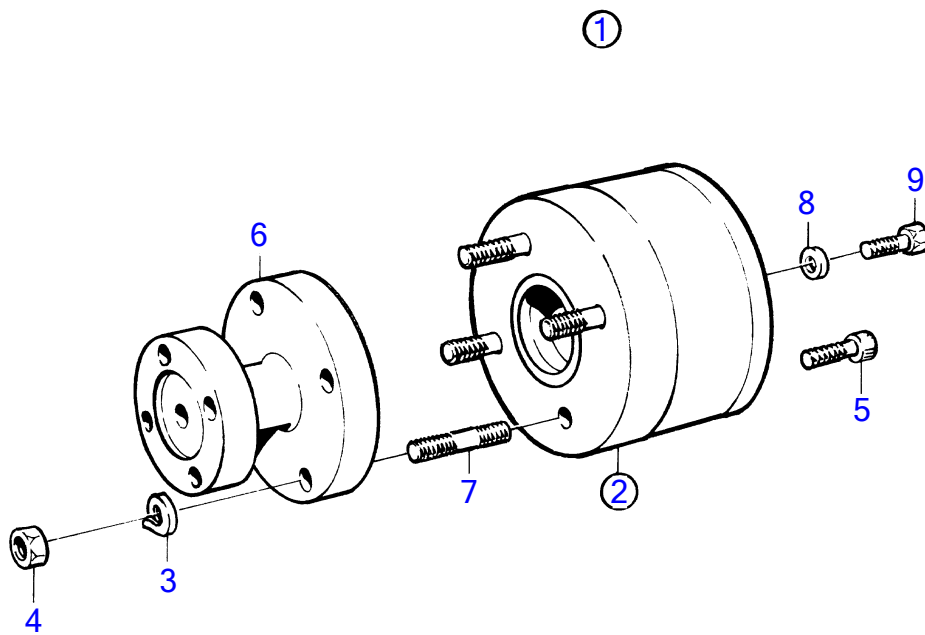


AD31D, AD31XD, TAMD31D, TMD31D



9010

AD31D, AD31XD, TAMD31D, TMD31D

REF	PART NO.	QTY	DESCRIPTION	NOTES
1	(838471)	1	Spacer flange	Only center drilled 20mm, Obsolete part
2	(828831)	1	• Clutch	Obsolete part
3	941909	4	• • Spring washer	
4	955849	4	• • Hexagon nut	
5	959241	6	• • Hex. socket screw	
6		1	• Flange	
7		4	• Stud	
8	941908	4	• Spring washer	
9	970948	4	• Hexagon screw	(955318)